



# Saturn Series

Backsheet Monocrystalline Solar Module

## YC650~665M-210M10

PERC+ / Multi-busbar / Half-cut

Non-destructive cutting

PID resistance

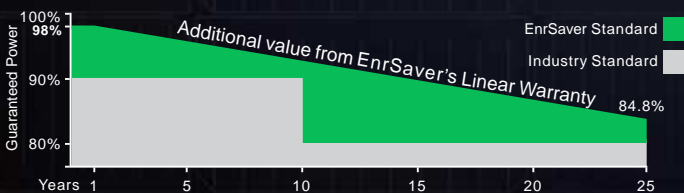
Lower BOS cost & LCOE

Reduced hot Spot Loss

Low-Light Performance



### LINEAR PERFORMANCE WARRANTY



12-year Product Warranty

25-year Linear Power Warranty



## Electrical Specifications

**STC:** Irradiance 1000W/m<sup>2</sup>, Cell Temperature 25° C, AM=1.5

Rated output (Pmpp / Wp)	650	655	660	665
Rated voltage (Vmpp / V)	37.45	37.65	37.85	38.05
Rated current (Impp / A)	17.36	17.41	17.45	17.50
Open circuit voltage (Voc / V)	45.28	45.48	45.68	45.88
Short circuit current (Isc / A)	18.43	18.48	18.53	18.58
Module efficiency	20.9%	21.1%	21.2%	21.4%

**NMOT:** Irradiance 800W/m<sup>2</sup>, Ambient Temperature 20° C, AM=1.5, Wind Speed 1m/s

Rated output (Pmpp / Wp)	489.5	493.2	497.0	500.7
Rated voltage (Vmpp / V)	35.09	35.28	35.46	35.63
Rated current (Impp / A)	13.96	13.99	14.03	14.06
Open circuit voltage (Voc / V)	42.55	42.75	42.95	43.15
Short circuit current (Isc / A)	14.82	14.87	14.92	14.97

## Temperature Ratings (STC)

Temperature coefficient (Pmpp)	-0.35%/°C	No. of diodes	3
Temperature coefficient (Isc)	+0.045%/°C	Junction box IP rating	IP 68
Temperature coefficient (Voc)	-0.27%/°C	Max. series fuse rating	30A
Nominal module operating temperature (NMOT)	41±2°C	Max. system voltage (IEC/UL)	1500V <sub>DC</sub>

## Operating Parameters

**650~665W~+5W**

POWER RANGE

POWER TOLERANCE

**21.4%**

MAX MODULE EFFICIENCY

**≤ 2.0%**

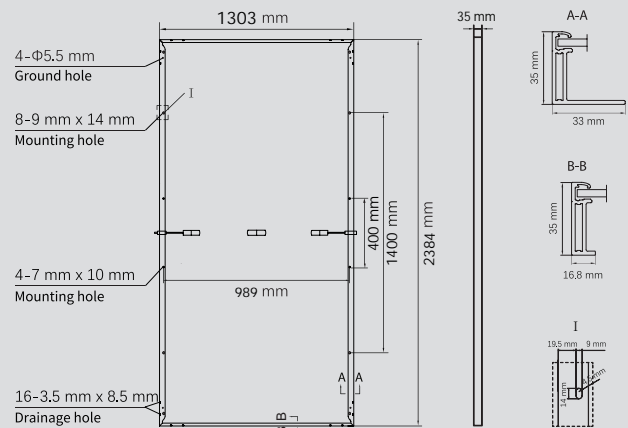
FIRST YEAR POWER DEGRADATION

**≤ 0.55%**

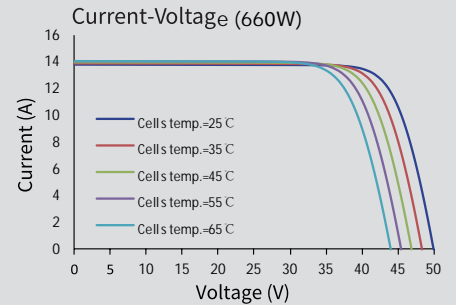
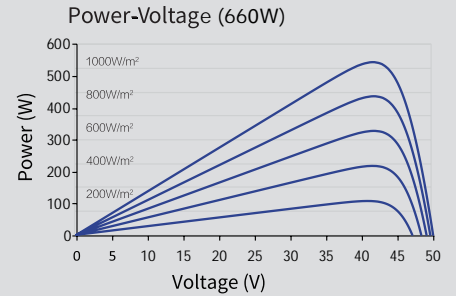
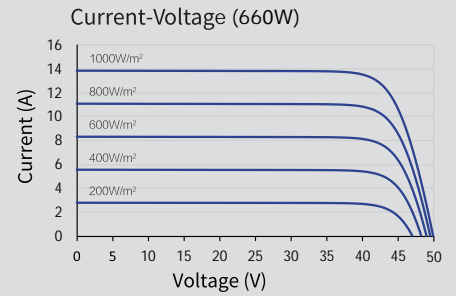
YEAR 2-25 POWER DEGRADATION

## Mechanical Specifications

Outer dimensions (L x W x H)	2384X1303X35 mm
Cell Type	P type Mono-crystalline
No. of cells	120(6*20)
Frame technology	Aluminum, silver anodized
Front glass thickness	3.2 mm
Cable length (IEC/UL)	Portrait: 300 mm; Landscape: 1400 mm
Cable diameter (IEC/UL)	4 mm <sup>2</sup> / 12 AWG
Maximum mechanical test load	5400 Pa (front) / 2400 Pa (back)
Connector type (IEC/UL)	HCB40 / MC4-EVO2 (optional)
Module weight	134.8 kg
Packing unit	31 pcs / box (Subject to sales contract)
Weight of packing unit (for 40' HQ container)	1125kg
Modules per 40' HQ container	527 pcs



## Curve





# Earth Series

Backsheet Monocrystalline Solar Module

## YC535~550M-144M10

PERC+ / Multi-busbar / Half-cut

Non-destructive cutting

PID resistance

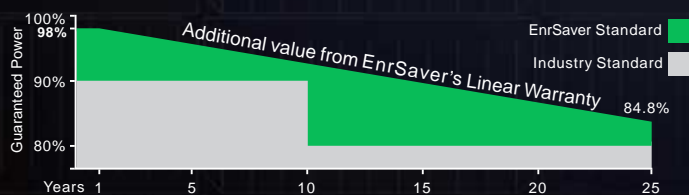
Lower BOS cost & LCOE

Reduced hot Spot Loss

Low-Light Performance



### LINEAR PERFORMANCE WARRANTY



12-year Product Warranty

25-year Linear Power Warranty



## Electrical Specifications

**STC:** Irradiance 1000W/m<sup>2</sup>, Cell Temperature 25° C, AM=1.5

Rated output (Pmpp / Wp)	535	540	545	550
Rated voltage (Vmpp / V)	41.60	41.76	41.93	42.10
Rated current (Impp / A)	12.86	12.93	13.00	13.06
Open circuit voltage (Voc / V)	49.50	49.70	49.90	50.10
Short circuit current (Isc / A)	13.61	13.72	13.81	13.90
Module efficiency	20.7%	20.9%	21.1%	21.3%

**NMOT:** Irradiance 800W/m<sup>2</sup>, Ambient Temperature 20° C, AM=1.5, Wind Speed 1m/s

Rated output (Pmpp / Wp)	399.8	403.5	407.3	411.0
Rated voltage (Vmpp / V)	38.77	38.92	39.08	39.24
Rated current (Impp / A)	10.31	10.37	10.42	10.48
Open circuit voltage (Voc / V)	46.78	46.97	47.16	47.34
Short circuit current (Isc / A)	11.04	11.13	11.20	11.27

## Temperature Ratings (STC)

Temperature coefficient (Pmpp)	-0.35%/°C	No. of diodes	3
Temperature coefficient (Isc)	+0.045%/°C	Junction box IP rating	IP 68
Temperature coefficient (Voc)	-0.27%/°C	Max. series fuse rating	25 A
Nominal module operating temperature (NMOT)	41±2°C	Max. system voltage (IEC/UL)	1500V <sub>DC</sub>

## Operating Parameters

**535 ~ 550W**

POWER RANGE

**0 ~ +5W**

POWER TOLERANCE

**21.3%**

MAX MODULE EFFICIENCY

**≤ 2.0%**

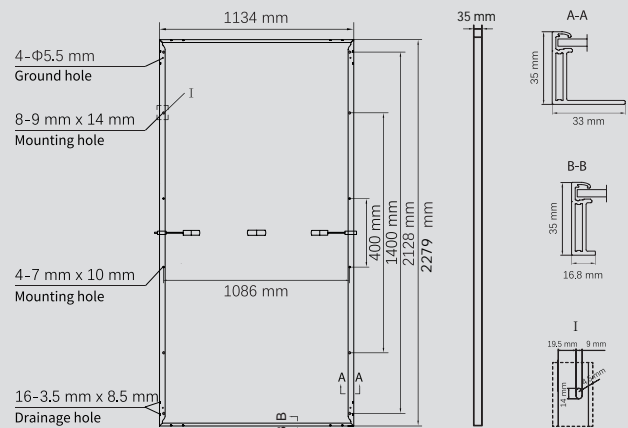
FIRST YEAR POWER DEGRADATION

**≤ 0.55%**

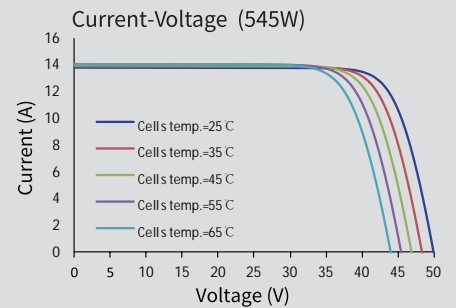
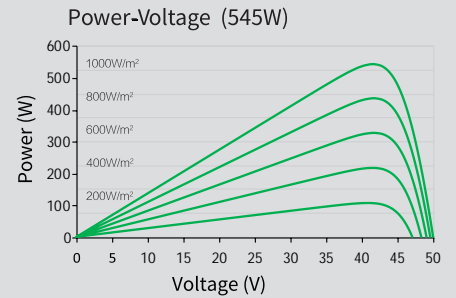
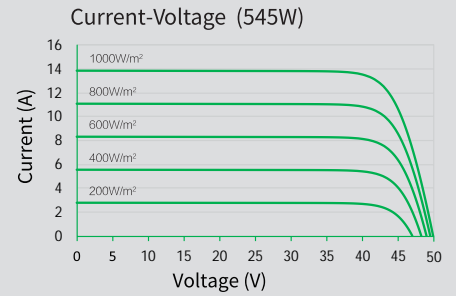
YEAR 2-25 POWER DEGRADATION

## Mechanical Specifications

Outer dimensions (L x W x H)	2279x1134x35 mm
Cell Type	P type Mono-crystalline
No. of cells	144 (6*24)
Frame technology	Aluminum, silver anodized
Front glass thickness	3.2 mm
Cable length (IEC/UL)	Portrait: 300 mm; Landscape: 1400 mm
Cable diameter (IEC/UL)	4 mm <sup>2</sup> / 12 AWG
Maximum mechanical test load	5400 Pa (front) / 2400 Pa (back)
Connector type (IEC/UL)	HCB40 / MC4-EVO2 (optional)
Module weight	26.9 kg
Packing unit	31 pcs / box (Subject to sales contract)
Weight of packing unit (for 40' HQ container)	893 kg
Modules per 40' HQ container	620 pcs



## Curve





# Mars Series

Backsheet Monocrystalline Solar Module

## YC430~450M-144M10

PERC+ / Multi-busbar / Half-cut

Non-destructive cutting

PID resistance

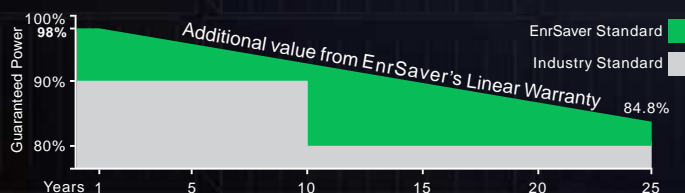
Lower BOS cost & LCOE

Reduced hot Spot Loss

Low-Light Performance



### LINEAR PERFORMANCE WARRANTY



12-year Product Warranty  
25-year Linear Power Warranty



## Electrical Specifications

**STC:** Irradiance 1000W/m<sup>2</sup>, Cell Temperature 25° C, AM=1.5

Rated output (Pmpp / Wp)	430W	435W	440W	445W	450W
Rated voltage (Vmpp / V)	40.60	40.80	41.00	41.20	41.40
Rated current (Impp / A)	10.60	10.66	10.73	10.80	10.80
Open circuit voltage (Voc / V)	48.9	49.1	49.2	49.4	49.6
Short circuit current (Isc / A)	11.30	11.36	11.45	11.52	11.58
Module efficiency	19.80%	20.00%	20.20%	20.20%	20.70%

**NMOT:** Irradiance 800W/m<sup>2</sup>, Ambient Temperature 20° C, AM=1.5, Wind Speed 1m/s

Rated output (Pmpp / Wp)	318.51	323.72	327.71	331.74	335.40
Rated voltage (Vmpp / V)	38.20	38.40	38.60	38.80	39.00
Rated current (Impp / A)	8.38	8.44	8.49	8.55	8.60
Open circuit voltage (Voc / V)	46.20	46.40	46.60	46.80	47.00
Short circuit current (Isc / A)	8.98	9.04	9.10	9.16	9.21

## Temperature Ratings (STC)

Temperature coefficient (Pmpp)	-0.35%/°C	No. of diodes	3
Temperature coefficient (Isc)	+0.045%/°C	Junction box IP rating	IP 68
Temperature coefficient (Voc)	-0.27%/°C	Max. series fuse rating	20A
Nominal module operating temperature (NMOT)	41±2°C	Max. system voltage (IEC/UL)	1500V <sub>DC</sub>

## Operating Parameters

**430W ~ 450W**

POWER RANGE

**0 ~ +5W**

POWER TOLERANCE

**20.7%**

MAX MODULE EFFICIENCY

**≤ 2.0%**

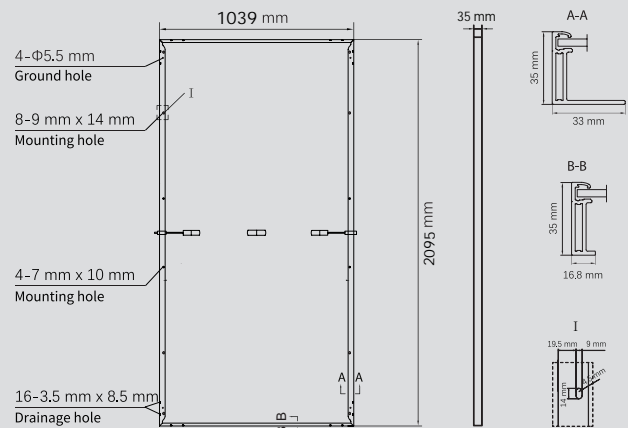
FIRST YEAR POWER DEGRADATION

**≤ 0.55%**

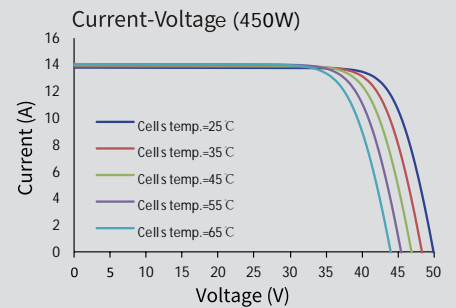
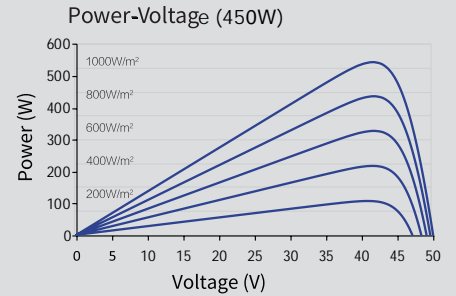
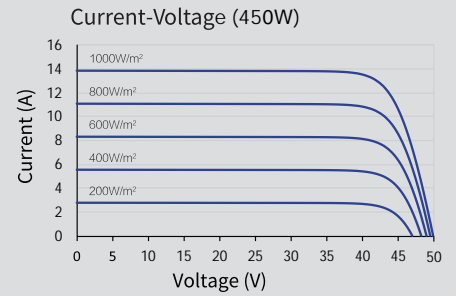
YEAR 2-25 POWER DEGRADATION

## Mechanical Specifications

Outer dimensions (L x W x H)	2095X1039X35 mm
Cell Type	P type Mono-crystalline
No. of cells	144 (6*24)
Frame technology	Aluminum, silver anodized
Front glass thickness	3.2 mm
Cable length (IEC/UL)	Portrait: 300 mm; Landscape: 1400 mm
Cable diameter (IEC/UL)	4 mm <sup>2</sup> / 12 AWG
Maximum mechanical test load	5400 Pa (front) / 2400 Pa (back)
Connector type (IEC/UL)	HCB40 / MC4-EVO2 (optional)
Module weight	24.1 kg
Packing unit	31 pcs / box (Subject to sales contract)
Weight of packing unit (for 40' HQ container)	717 kg
Modules per 40' HQ container	936 pcs



## Curve





# Moon Series

Backsheet Monocrystalline Solar Module

## YC400~415M-108M10

All Black

PERC+ / Multi-busbar / Half-cut

Non-destructive cutting

PID resistance

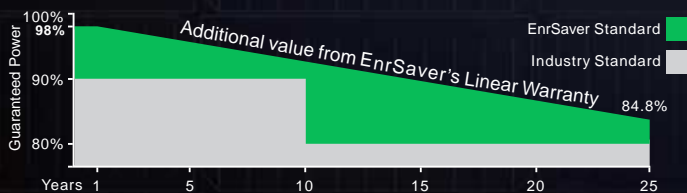
Lower BOS cost & LCOE

Reduced hot Spot Loss

Low-Light Performance



### LINEAR PERFORMANCE WARRANTY



12-year Product Warranty

25-year Linear Power Warranty



## Electrical Specifications

**STC:** Irradiance 1000W/m<sup>2</sup>, Cell Temperature 25° C, AM=1.5

Rated output (Pmpp / Wp)	400	405	410	415
Rated voltage (Vmpp / V)	30.73	30.91	31.09	31.27
Rated current (Impp / A)	13.03	13.11	13.20	13.29
Open circuit voltage (Voc / V)	37.09	37.21	37.33	37.45
Short circuit current (Isc / A)	13.90	13.98	14.06	14.13
Module efficiency	20.65%	20.91%	21.17%	21.43%

**NMOT:** Irradiance 800W/m<sup>2</sup>, Ambient Temperature 20° C, AM=1.5, Wind Speed 1m/s

Rated output (Pmpp / Wp)	303	307	311	315
Rated voltage (Vmpp / V)	29.38	29.55	29.72	29.90
Rated current (Impp / A)	10.32	10.40	10.47	10.52
Open circuit voltage (Voc / V)	35.23	35.34	35.46	35.57
Short circuit current (Isc / A)	11.15	11.21	11.28	11.33

## Temperature Ratings (STC)

Temperature coefficient (Pmpp)	-0.35%/°C	No. of diodes	3
Temperature coefficient (Isc)	+0.045%/°C	Junction box IP rating	IP 68
Temperature coefficient (Voc)	-0.27%/°C	Max. series fuse rating	25A
Nominal module operating temperature (NMOT)	41±2°C	Max. system voltage (IEC/UL)	1500V <sub>DC</sub>

## Operating Parameters

**400~415W** **0~+5W**

POWER RANGE

POWER TOLERANCE

**21.1%**

MAX MODULE EFFICIENCY

**≤ 2.0%**

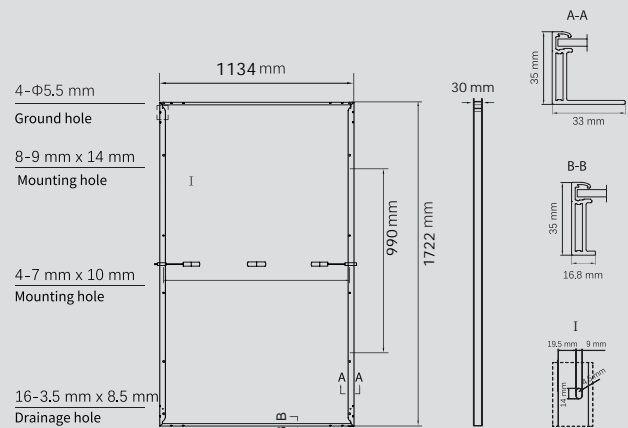
FIRST YEAR POWER DEGRADATION

**≤ 0.55%**

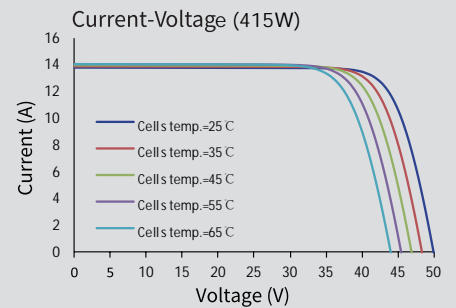
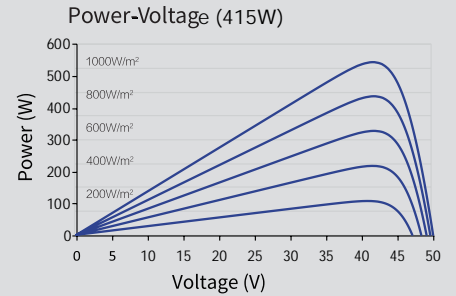
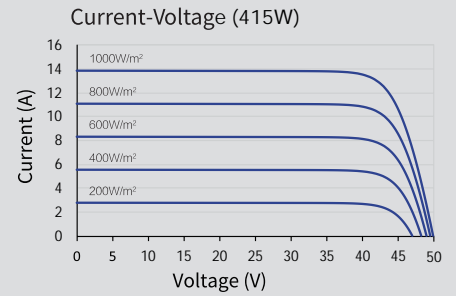
YEAR 2-25 POWER DEGRADATION

## Mechanical Specifications

Outer dimensions (L x W x H)	1722X1134X30 mm
Cell Type	P type Mono-crystalline
No. of cells	108(6*18)
Frame technology	Aluminum, silver anodized
Front glass thickness	3.2 mm
Cable length (IEC/UL)	Portrait: 300 mm; Landscape: 1400 mm
Cable diameter (IEC/UL)	4 mm <sup>2</sup> / 12 AWG
Maximum mechanical test load	5400 Pa (front) / 2400 Pa (back)
Connector type (IEC/UL)	HCB40 / MC4-EVO2 (optional)
Module weight	21.6 kg
Packing unit	36 pcs / box (Subject to sales contract)
Weight of packing unit (for 40' HQ container)	821 kg
Modules per 40' HQ container	936 pcs



## Curve







# Moon Series

Backsheet Monocrystalline Solar Module

## YC400~415M-108M10

PERC+ / Multi-busbar / Half-cut

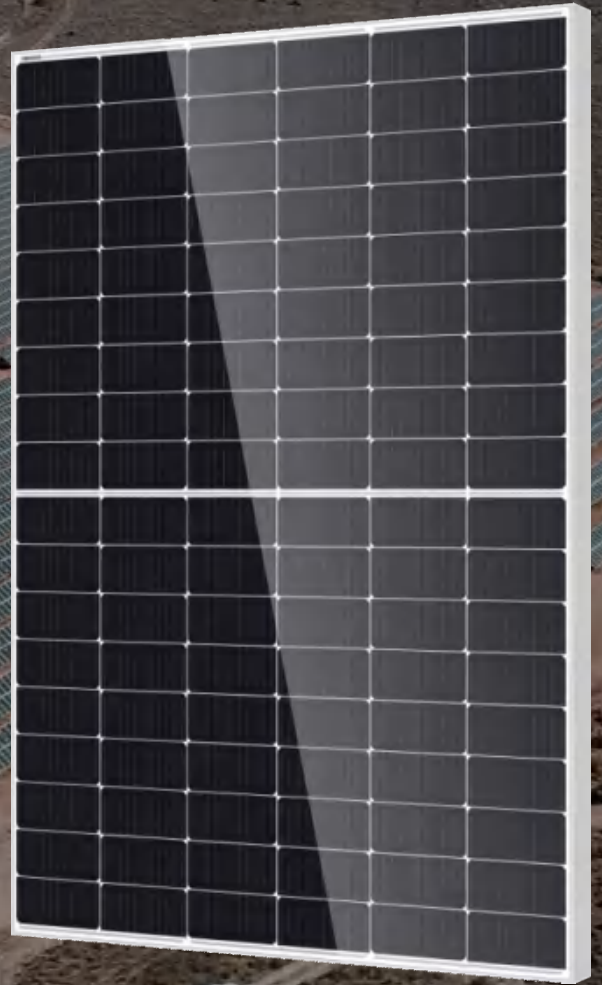
Non-destructive cutting

PID resistance

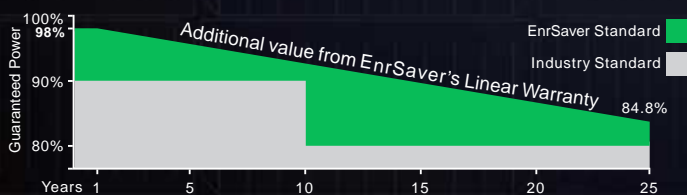
Lower BOS cost & LCOE

Reduced hot Spot Loss

Low-Light Performance



### LINEAR PERFORMANCE WARRANTY



12-year Product Warranty

25-year Linear Power Warranty



## Electrical Specifications

**STC:** Irradiance 1000W/m<sup>2</sup>, Cell Temperature 25° C, AM=1.5

Rated output (Pmpp / Wp)	400	405	410	415
Rated voltage (Vmpp / V)	30.73	30.91	31.09	31.27
Rated current (Impp / A)	13.03	13.11	13.20	13.29
Open circuit voltage (Voc / V)	37.09	37.21	37.33	37.45
Short circuit current (Isc / A)	13.90	13.98	14.06	14.13
Module efficiency	20.65%	20.91%	21.17%	21.43%

**NMOT:** Irradiance 800W/m<sup>2</sup>, Ambient Temperature 20° C, AM=1.5, Wind Speed 1m/s

Rated output (Pmpp / Wp)	303	307	311	315
Rated voltage (Vmpp / V)	29.38	29.55	29.72	29.90
Rated current (Impp / A)	10.32	10.40	10.47	10.52
Open circuit voltage (Voc / V)	35.23	35.34	35.46	35.57
Short circuit current (Isc / A)	11.15	11.21	11.28	11.33

## Temperature Ratings (STC)

Temperature coefficient (Pmpp)	-0.35%/°C	No. of diodes	3
Temperature coefficient (Isc)	+0.045%/°C	Junction box IP rating	IP 68
Temperature coefficient (Voc)	-0.27%/°C	Max. series fuse rating	25A
Nominal module operating temperature (NMOT)	41±2°C	Max. system voltage (IEC/UL)	1500V <sub>DC</sub>

## Operating Parameters

**400~415W** **0~+5W**

POWER RANGE

POWER TOLERANCE

**21.1%**

MAX MODULE EFFICIENCY

**≤ 2.0%**

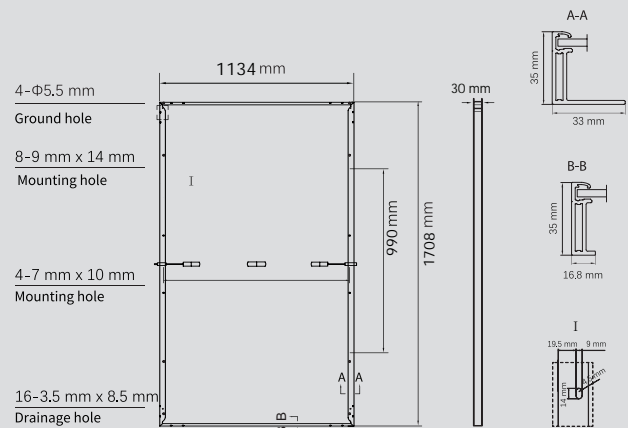
FIRST YEAR POWER DEGRADATION

**≤ 0.55%**

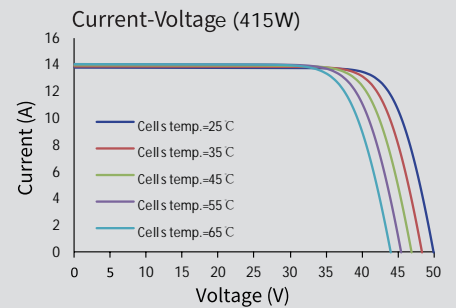
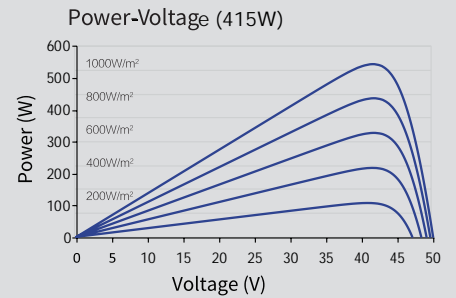
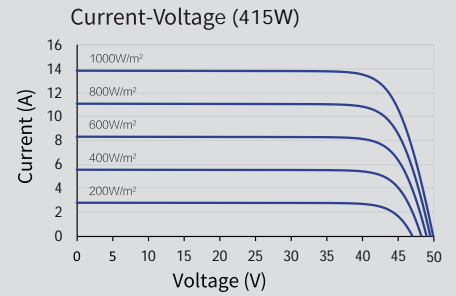
YEAR 2-25 POWER DEGRADATION

## Mechanical Specifications

Outer dimensions (L x W x H)	1708X1134X30 mm
Cell Type	P type Mono-crystalline
No. of cells	108(6*18)
Frame technology	Aluminum, silver anodized
Front glass thickness	3.2 mm
Cable length (IEC/UL)	Portrait: 300 mm; Landscape: 1400 mm
Cable diameter (IEC/UL)	4 mm <sup>2</sup> / 12 AWG
Maximum mechanical test load	5400 Pa (front) / 2400 Pa (back)
Connector type (IEC/UL)	HCB40 / MC4-EVO2 (optional)
Module weight	21.6 kg
Packing unit	36 pcs / box (Subject to sales contract)
Weight of packing unit (for 40' HQ container)	821 kg
Modules per 40' HQ container	936 pcs



## Curve





# Moon Series

Backsheet Monocrystalline Solar Module

## YC370~385M-120M10

PERC+ / Multi-busbar / Half-cut

Non-destructive cutting

PID resistance

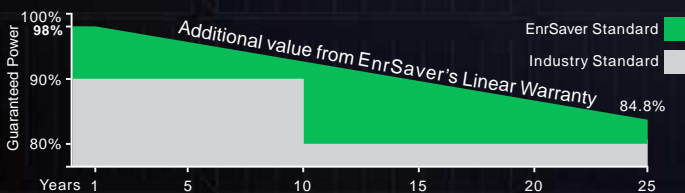
Lower BOS cost & LCOE

Reduced hot Spot Loss

Low-Light Performance



### LINEAR PERFORMANCE WARRANTY



12-year Product Warranty

25-year Linear Power Warranty



## Electrical Specifications

**STC:** Irradiance 1000W/m<sup>2</sup>, Cell Temperature 25° C, AM=1.5

Rated output (Pmpp / Wp)	370	375	380	385
Rated voltage (Vmpp / V)	33.9	34.28	34.51	34.74
Rated current (Impp / A)	10.89	10.94	11.01	11.07
Open circuit voltage (Voc / V)	40.75	41.05	41.34	41.62
Short circuit current (Isc / A)	11.35	11.42	11.49	11.55
Module efficiency	20.3%	20.6%	20.9%	21.1%

**NMOT:** Irradiance 800W/m<sup>2</sup>, Ambient Temperature 20° C, AM=1.5, Wind Speed 1m/s

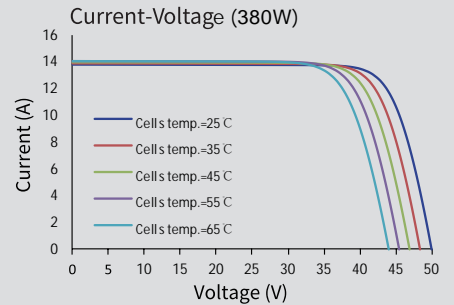
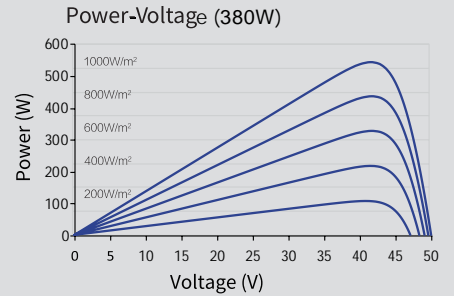
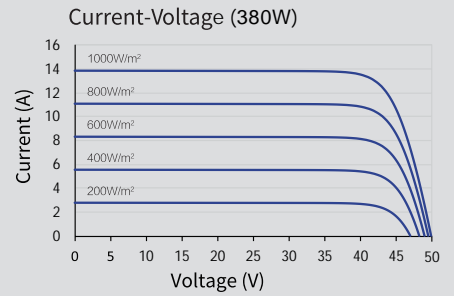
Rated output (Pmpp / Wp)	275.9	279.6	283.4	287.1
Rated voltage (Vmpp / V)	31.68	31.96	32.18	32.43
Rated current (Impp / A)	8.71	8.75	8.81	8.85
Open circuit voltage (Voc / V)	38.31	38.59	38.87	39.13
Short circuit current (Isc / A)	9.13	9.19	9.24	9.29

## Temperature Ratings (STC)

Temperature coefficient (Pmpp)	-0.35%/°C	No. of diodes	3
Temperature coefficient (Isc)	+0.045%/°C	Junction box IP rating	IP 68
Temperature coefficient (Voc)	-0.27%/°C	Max. series fuse rating	20A
Nominal module operating temperature (NMOT)	41±2°C	Max. system voltage (IEC/UL)	1500V <sub>DC</sub>

## Operating Parameters

## Curve



**370~385W**

POWER RANGE

**0~+5W**

POWER TOLERANCE

**21.1%**

MAX MODULE EFFICIENCY

**≤ 2.0%**

FIRST YEAR POWER DEGRADATION

**≤ 0.55%**

YEAR 2-25 POWER DEGRADATION

## Mechanical Specifications

Outer dimensions (L x W x H)	1755X1038X30 mm
Cell Type	P type Mono-crystalline
No. of cells	120(6*20)
Frame technology	Aluminum, silver anodized
Front glass thickness	3.2 mm
Cable length (IEC/UL)	Portrait: 300 mm; Landscape: 1400 mm
Cable diameter (IEC/UL)	4 mm <sup>2</sup> / 12 AWG
Maximum mechanical test load	5400 Pa (front) / 2400 Pa (back)
Connector type (IEC/UL)	HCB40 / MC4-EVO2 (optional)
Module weight	19.1 kg
Packing unit	31 pcs / box (Subject to sales contract)
Weight of packing unit (for 40' HQ container)	717 kg
Modules per 40' HQ container	936 pcs

